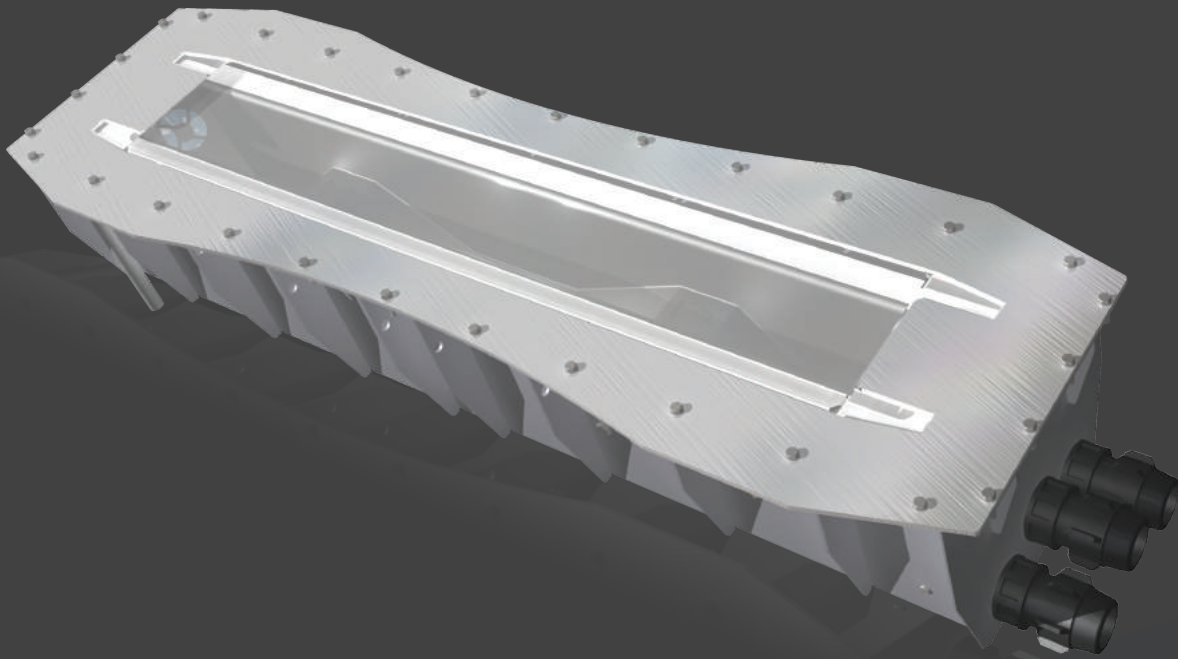




2016

UVEYE

Under Vehicle Inspection System Stationary



UVEye is an advanced security system for detecting possible threats (or changes) hidden in the vehicle undercarriage. Its sophisticated software provides a simple and easy-to-use interface.

The unit (dimensions 174cm(L) x 50cm(W) x 32cm(D)), comes with multiple super high-resolution cameras that produce a 3D color image of any vehicle driving at a speed of between 1 - 45kmh, in up to 3 seconds.

In addition, it occupies a quality lighting module to allow for a comprehensive and clear mapping of the undercarriage regardless of the time of scan (day or night) and weather conditions (-45C to 85C with anti-condensing feature).

The system automatically stores and retrieves images for threat detection with and without the use of an ALPR. Thanks to high-quality colorful scanning, threats and changes become more visibly noticeable. The system's special lenses also contribute to eliminating any fisheye distortion.

UVEye is designed to integrate with external access control systems such as bollards, road blockers, arm barriers etc as well as integrate and share information with other UVEye units installed either in the same facility or in other facilities, thus casting a wider security net.

In addition, the operator workstation features a friendly user interface with complete remote access capabilities.

PRODUCT FEATURES

- ✓ Plug & Play - Simple Installation
- ✓ Shallow foundation - only 35cm
- ✓ Bi-directional scanning (vehicle entering or exiting)
- ✓ High-Speed Intelligent Image Processing - In approximately 3 seconds the operator receives a fully-scanned preprocessed ready-to-use 3D footprint model of the vehicle's undercarriage
- ✓ Scans any vehicle type up to 3.5m in width with no limitation on vehicle length
- ✓ Stop & Go Image Acquiring - stopping above the system and continuing driving doesn't affect the image quality
- ✓ High resolution color cameras (Image resolution 3800x1500)
- ✓ Unique material for the system top glass layer - prevents rocks and nails from scratching or cracking the glass
- ✓ Anti-condensation unit - prevents steam accumulation
- ✓ Industrial fans for air-circulation
- ✓ Advanced workstation PC
- ✓ Reference Image Database
- ✓ Advanced reporting system with export options
- ✓ Compatible with low/high temp (-20C +60C); no need to shelter scanning area

OPTIONAL FEATURES

- ✓ Automatic Image Comparison
- ✓ Automatic Threat Recognition
- ✓ Additional Overview Camera (Side, Top, Driver)
- ✓ Shared Database
- ✓ API for system events
- ✓ 27" LED Monitor
- ✓ Computer storage extension (1TB SSD)
- ✓ Advanced LPR camera - delivers 2 images (LP number + vehicle body overview in color)
- ✓ Cooling system - for temperatures above 60c.
- ✓ Heating system - for temperatures below -25c.
- ✓ Remote connection



TECHNICAL SPECIFICATIONS

SCAN UNIT	
Dimensions (L x W x H)	174 cm X 50 cm X 32 cm 70" X 19" X 13"
Material	Galvanized Steel
Power supply	110 / 220 VAC
Power consumption	Nominal: 750 (WAT) Peak: 1.5 KW (at max. illumination & cooling)
Illumination type	Dynamic LED Array
Weight	200kg

ENVIRONMENTAL	
Operating tempratures	-45 c to +85 c (-49F +185F)
Ingress Protection	IP68
Anti-Condensation Unit	Preventing Humidity build up

WORKSTATION	
Computer	Intel i7 based processor
Memory	16 GB
Storage	HDD 1 TB (optional - no limit)
Operating System	Windows 7
Monitor	LCD/LED 24" (optional - 27")
Control	Keyboard + Mouse
Image Resolution	3800 x 1500 px

